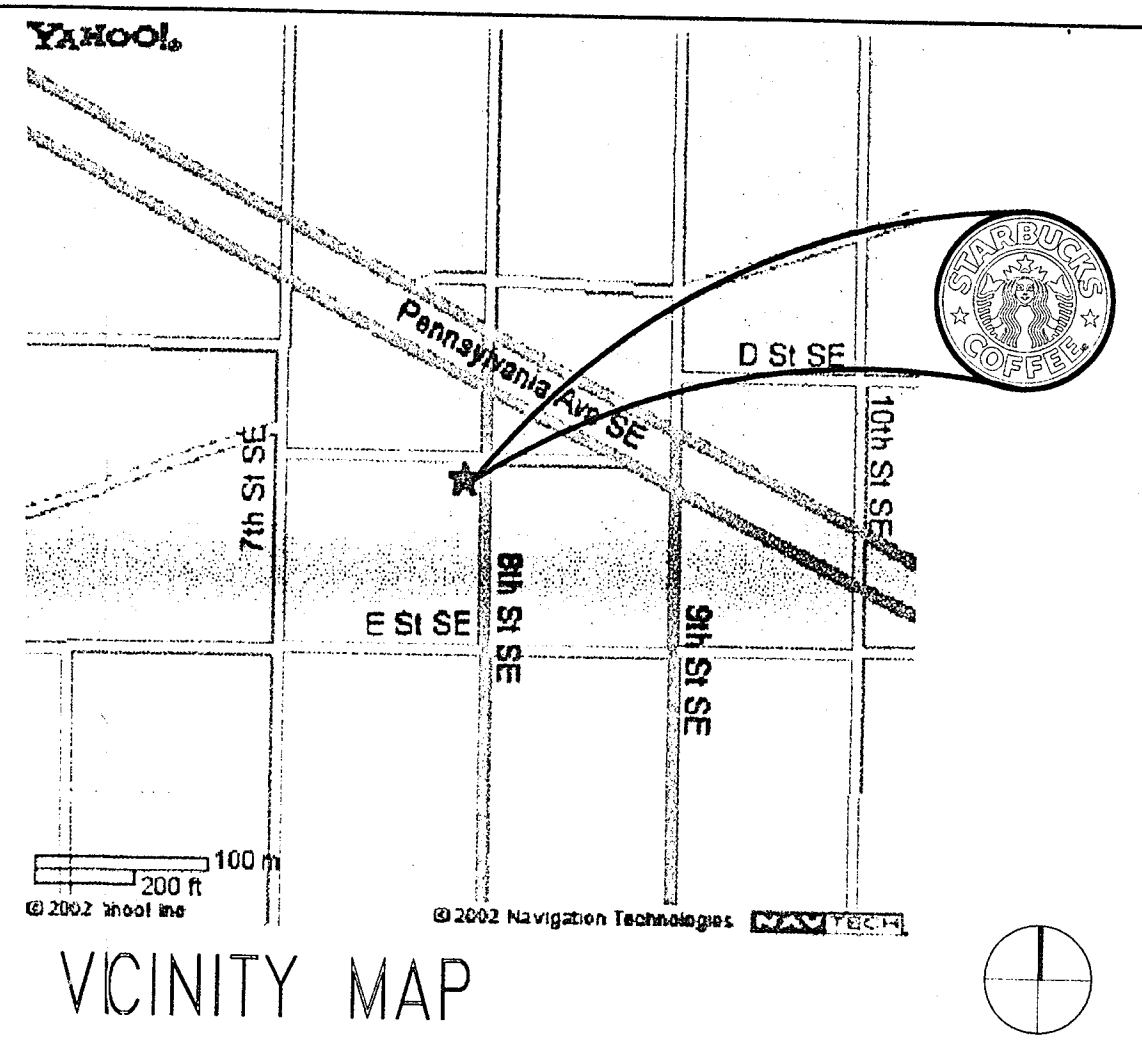


1 ENLARGED SEATING PLAN  
1/4" = 1'-0"

**(A) TABLE**  
 'BUJOU' TILT TABLE  
 SIZE: DIAM 28" X H30"  
 SUPPLIER REF: #850  
 FRAME: SQUARE TUBULAR STEEL  
 FINISH: E-COAT PRETREATMENT W/ TEXTURED BRONZE COLOR POWDERCOAT FINISH  
 FEET: W/ 1 ADJUSTABLE FOOT  
 WEIGHT EACH: 24.3 LBS  
 UNITS PER BOX: 1  
 BOX DIMENSIONS: 5'X28"X30"  
 BOX VOLUME: 2.5 CUBIC FT.

**(B) UMBRELLA**  
 THE PATISSON GROUP  
 SIZE: 5'X5' SQUARE  
 SUPPLIER REF: #2002A  
 FRAME: RAMIN, HARDWOOD FRAME, 1-1/2" DIAM. POLE  
 FABRIC: GLEN RAVIN MILLS, SUNBRELLA HEMLOCK  
 TWEED, FIRE SIST #8605  
 BASE: 24" DIAM. ROUND X 14-1/2" HT, 75LBS., CAST IRON PLATE, BENJ. MOORE SOFT GLOSS LATEX #096-41 CHROME GREEN  
 WEIGHT EACH: 18 LBS  
 UNITS PER BOX: 1

**(C) CHAIR**  
 'BUJOU' STACKING ARM CHAIR  
 SIZE: W20-1/2" X D20-1/2" X H33", SEAT 17-1/2"  
 SUPPLIER REF: #267  
 FRAME: TUBULAR STEEL  
 SEAT: TEAK WOOD SLATS  
 FINISH: E-COAT PRETREATMENT W/ TEXTURED BRONZE COLOR POWDERCOAT FINISH  
 FEET: PLASTIC FOOTCAPS  
 WEIGHT EACH: 13.7 LBS  
 BOX DIMENSIONS: 25" X 37-1/2" X 21"  
 BOX VOLUME: 11.4 CUBIC FT.



VICINITY MAP

OUTDOOR SEATING

PROPERTY DESCRIPTION:  
 SQUARE: 209 LOT: 103  
 TOTAL SEATS: 11  
 TOTAL SEATING AREA: 178 S.F.

INDEX OF DRAWINGS:  
 6 ENLARGED SEATING PLAN  
 7 TABLE, UMBRELLA, & CHAIR DETAIL WITH SPECIFICATIONS  
 14 RAILING DETAIL  
 16 SITE PLAN WITH SEATING  
 19 'D' STREET ELEVATION  
 20 8TH STREET ELEVATION

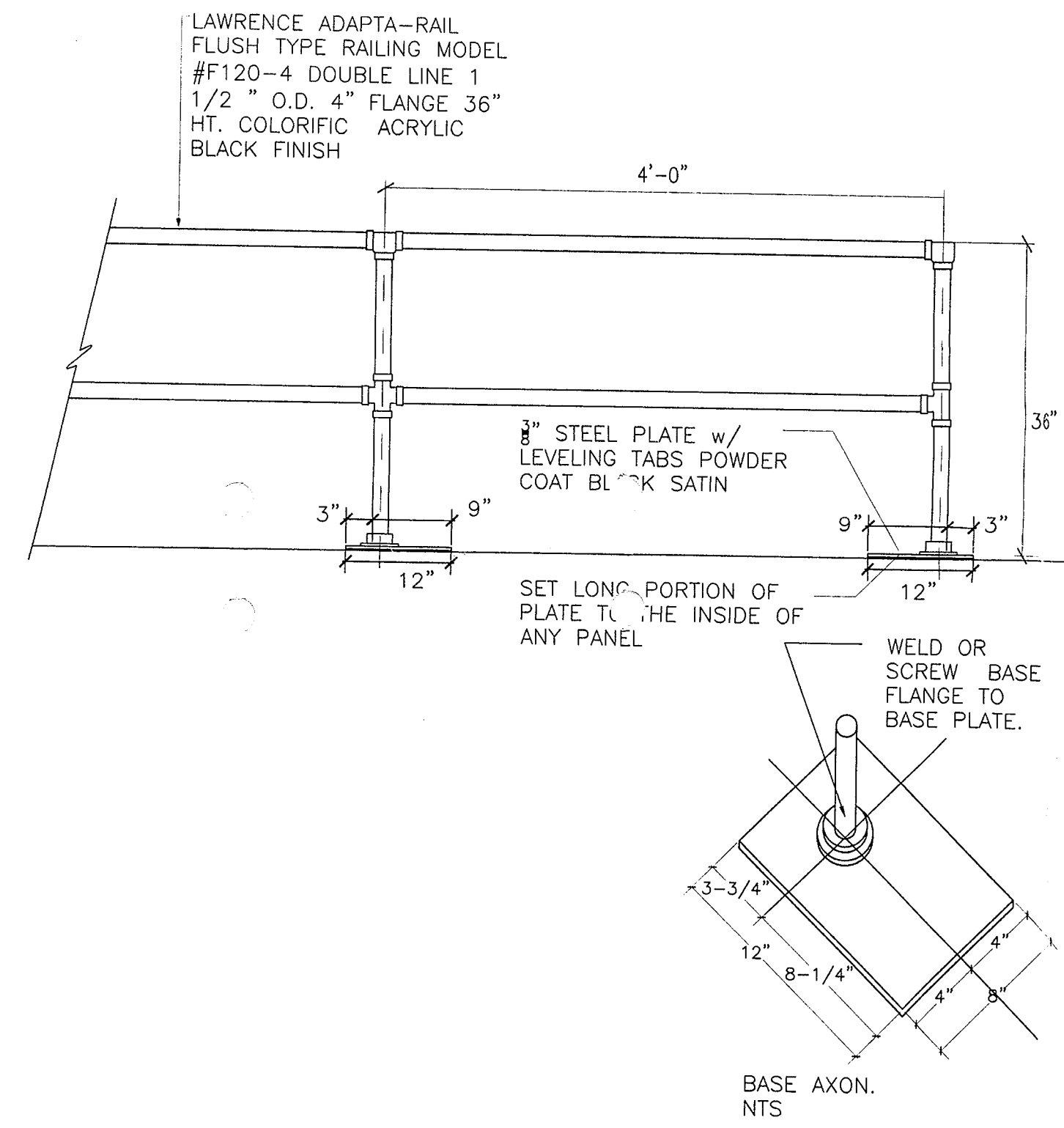


STARBUCKS COFFEE COMPANY  
 2401 UTAH AVENUE SOUTH  
 SEATTLE, WASHINGTON 98134  
 (206) 318-1575

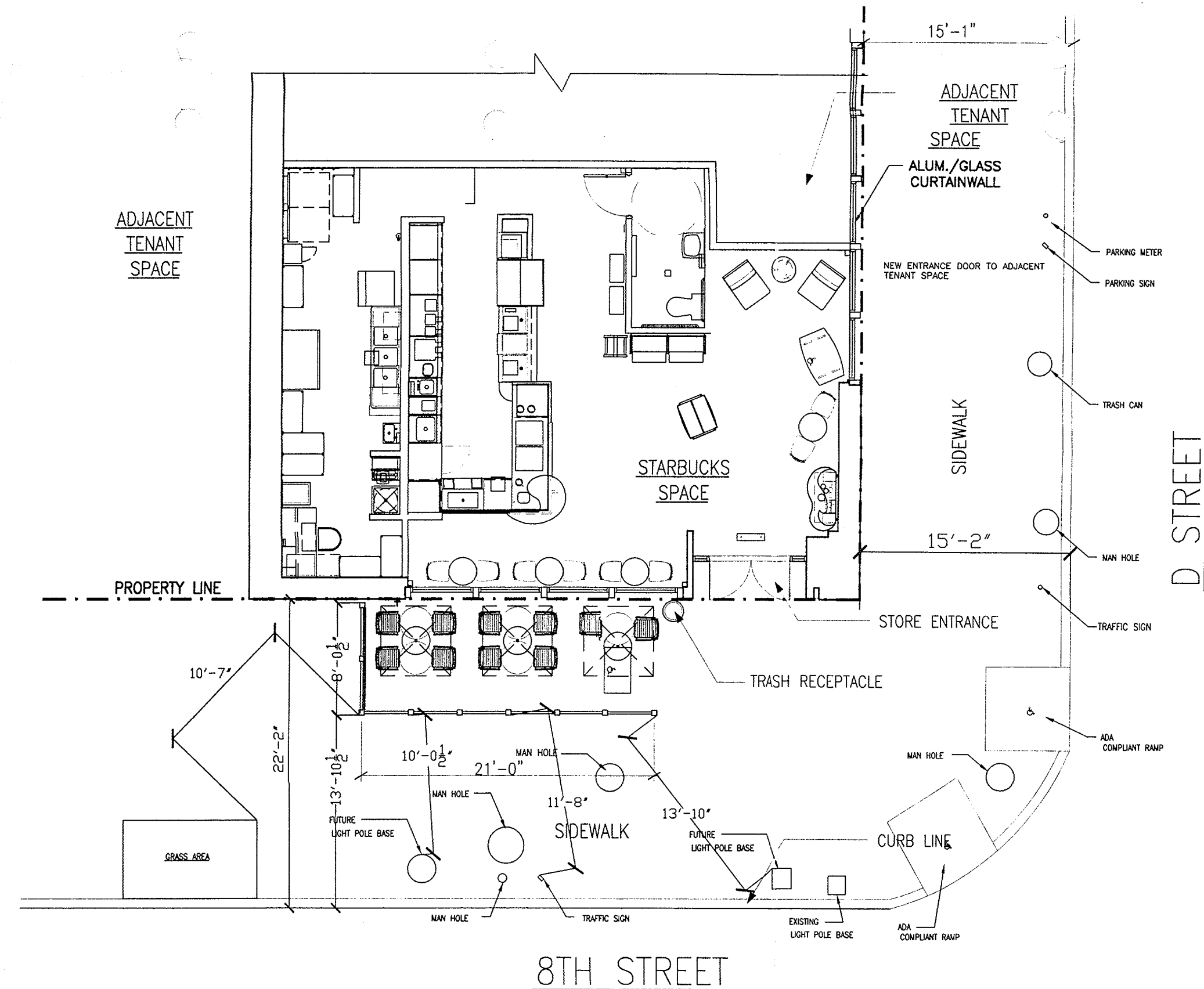
THESE PLANS AND SPECIFICATIONS, AS WELL AS STARBUCKS NAME AND LOGO, TRADEMARKS AND DESIGNS ARE THE EXCLUSIVE PROPERTY OF STARBUCKS CORPORATION. ANY REPRODUCTION, MODIFICATION, DISCLOSURE AND/OR USE OF THESE MATERIALS (OR ANY PORTION OF THEM) WITHOUT STARBUCKS' PRIOR WRITTEN CONSENT IS STRICTLY PROHIBITED.

PGA DESIGN + BUILD  
 4963 ELM SUITE 103  
 BETHESDA MARYLAND 20814-2840  
 PH. (301) 657-3020  
 FX. (301) 657-3050

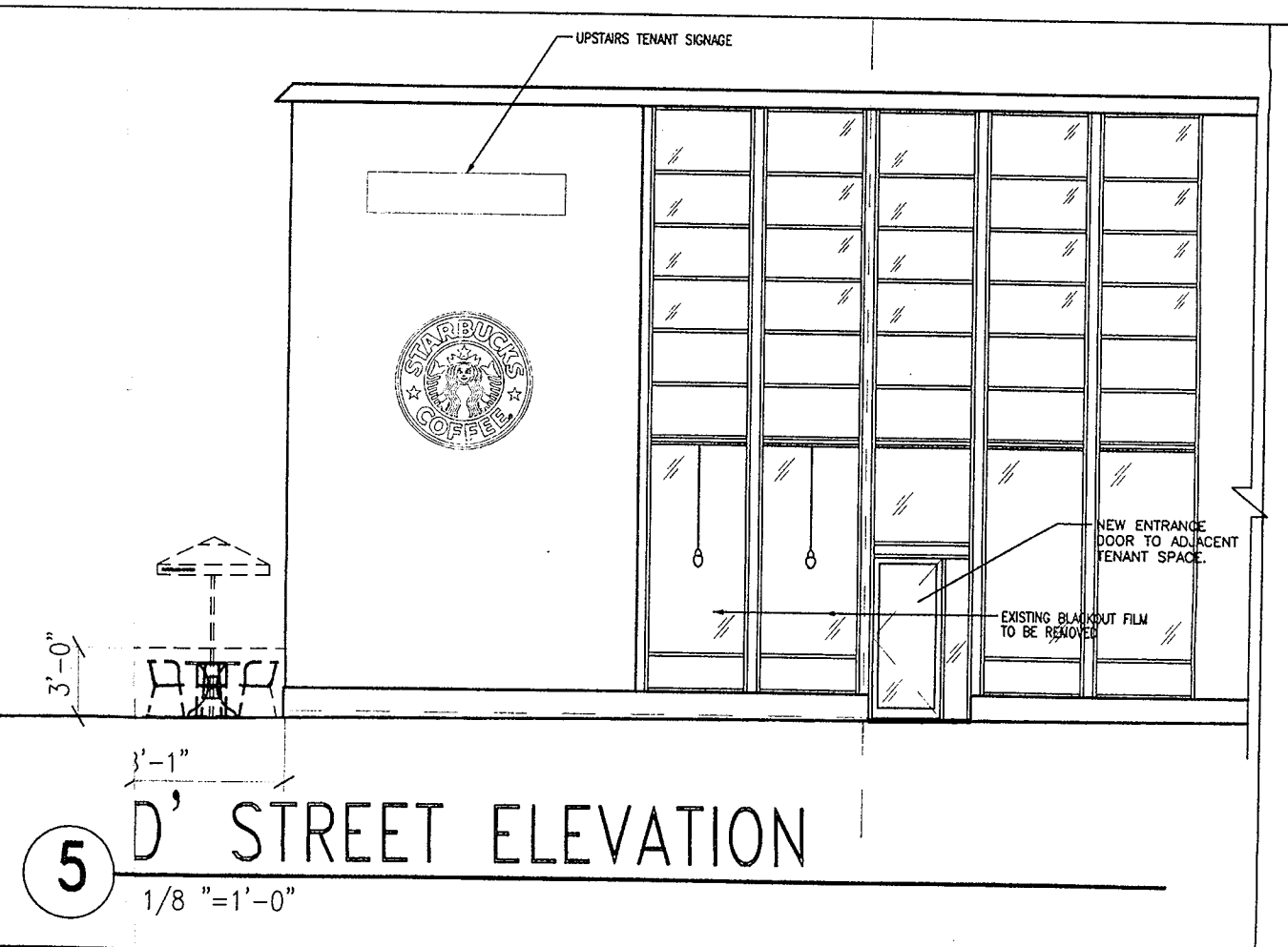
REV	DATE	JC	DESCRIPTION
1	2.24.03	RR	SEATING ADJUSTMENTS
2	2.27.03	whc	prepare for permit
3	2.27.03	whc	REVISE FOR NEW SITE INFO
4	4.24.03	whc	SF CALC



4 RAILING DETAIL  
SCALE: NTS



3 SITE PLAN WITH SEATING  
1/8" = 1'-0"



5 'D' STREET ELEVATION  
1/8" = 1'-0"



6 8TH STREET ELEVATION  
1/8" = 1'-0"

STARBUCKS COFFEE  
 EASTERN MARKET  
 401 8th Street S.E.  
 Washington, DC 20003  
 COUNTY: WASHINGTON, DC

PROJECT NO. 11185-001  
 CONCEPT: EB-ROAST3-LH  
 ISSUE DATE: 02.14.03  
 PM: A.J. YO  
 JC: JEFFREY  
 CHECKED: DANICA STEAD  
 C. M. CHKD: ERIC QUIGLEY

SCALE:  
 (DO NOT SCALE DRAWINGS)

SHEET TITLE  
 OUTDOOR SEATING PLAN

PROJECT CODE: 11185-001