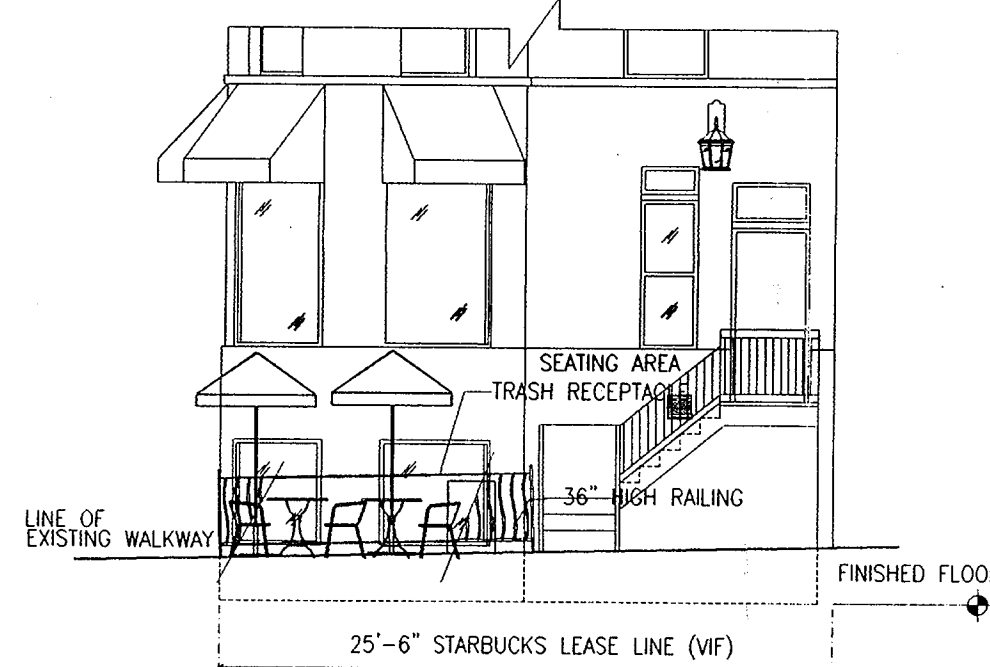


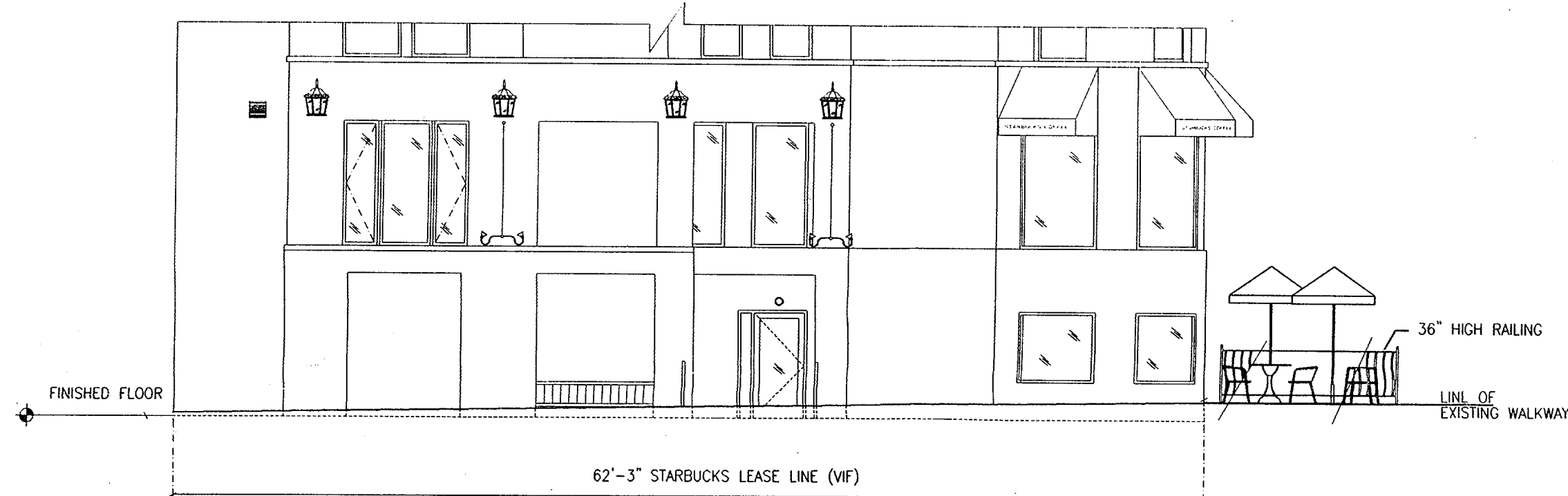
4 SIDE ELEVATION

SCALE = 1/8" = 1'-0"



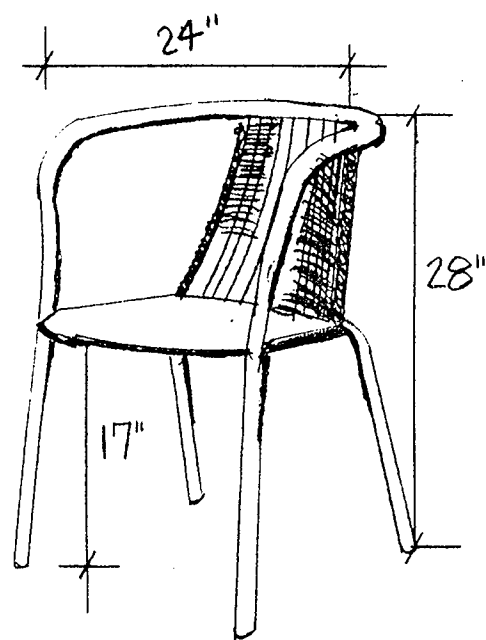
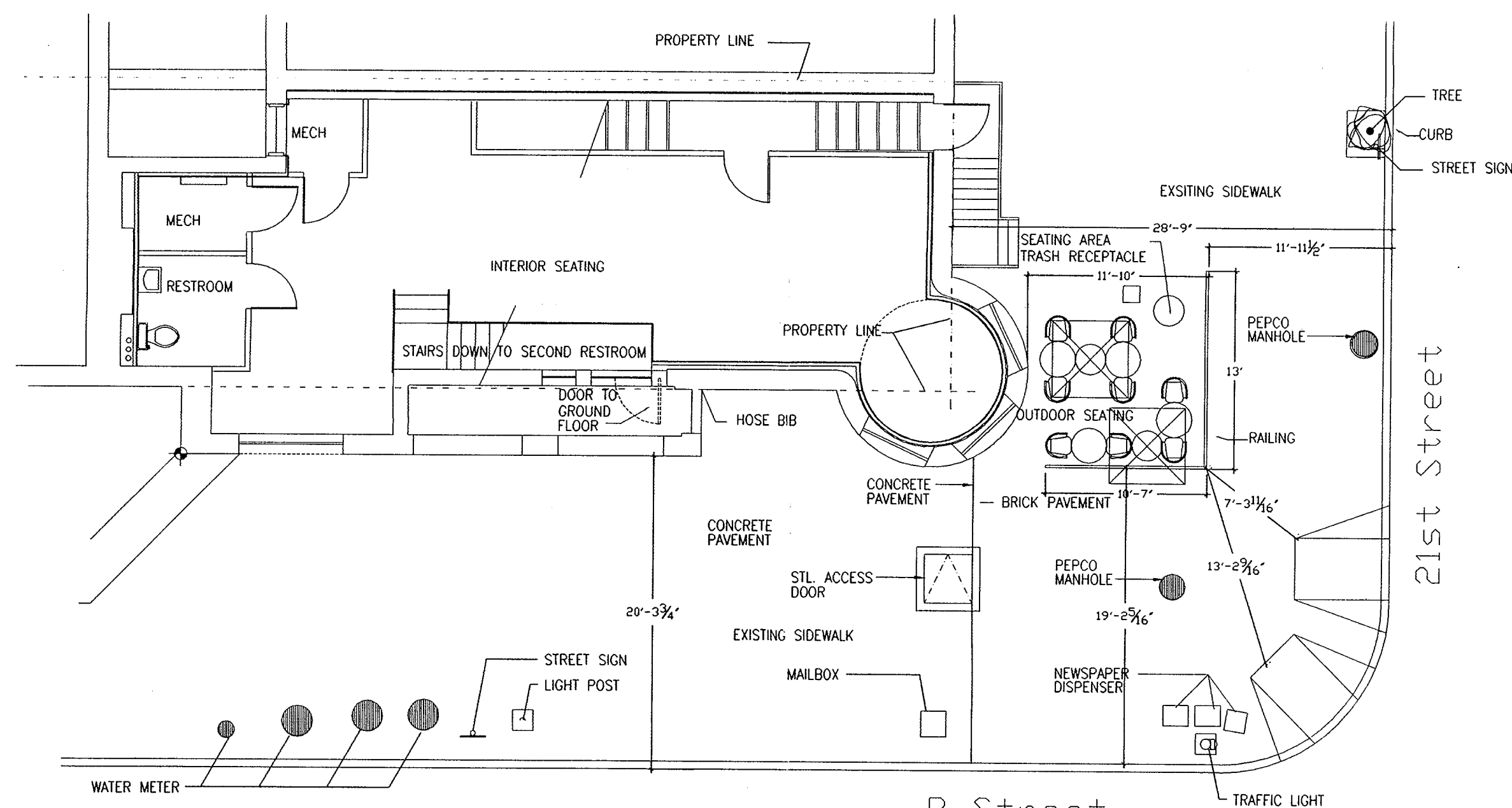
3 FRONT ELEVATION

SCALE = 1/8" = 1'-0"



2 SITE PLAN

SCALE = 1/8" = 1'-0"

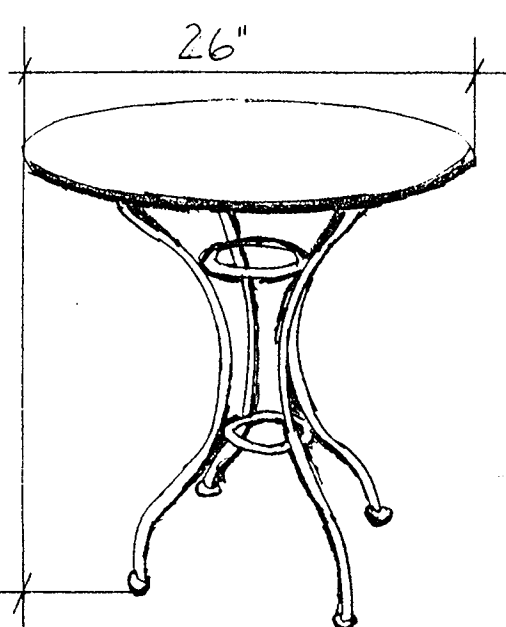


SPECIFICATIONS
 COLOR: GREEN
 STACKABLE, 14 GAUGE FRAME
 PVC EPOXY FINISH
 PVC - COATED STEEL WIRE STRAPPING

DIMENSIONS:
 SEAT HEIGHT: 17"
 WIDTH: 21"
 DEPTH: 24"
 OVERALL HEIGHT: 28.5"
 TAG: F604
 MAKER: SANDLER SEATING

6 CHAIR DETAIL

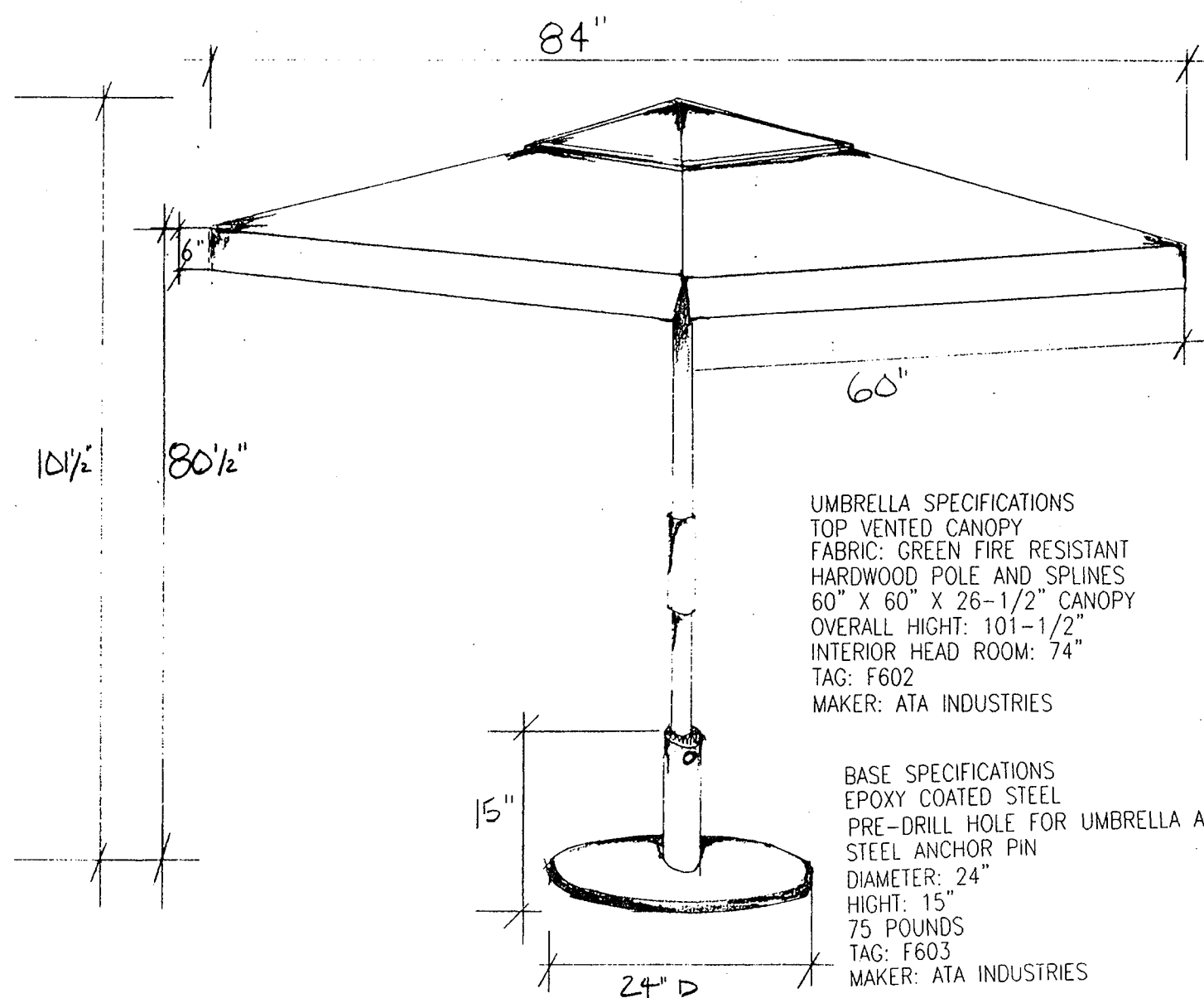
SCALE = 1/2" = 1'-0"



SPECIFICATIONS
 TOP
 OVERALL DIAMETER - 26"
 COLOR - GREEN POWDER COAT
 LEGS:
 FOOT PATTERN - 26" OUTSIDE DIAMETER
 COLOR - DULL METAL
 OVERALL HEIGHT - 28 1/4"
 TAG: F608
 MAKER: WEST COAST INDUSTRIES

7 TABLE DETAIL

SCALE = 1/2" = 1'-0"

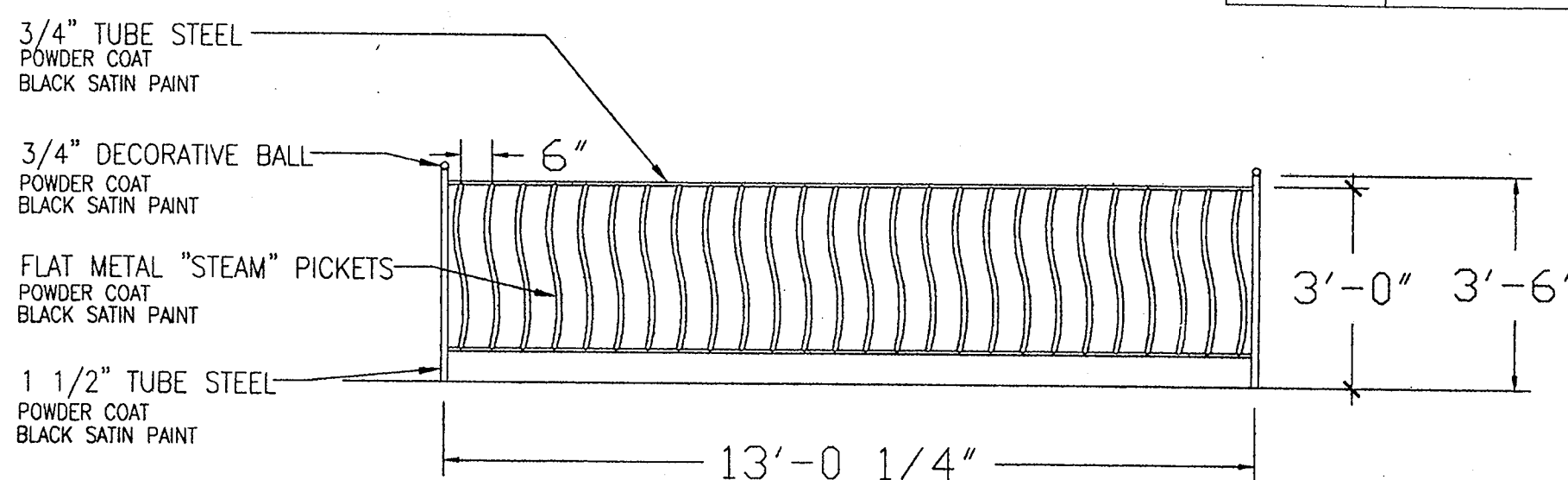


UMBRELLA SPECIFICATIONS
 TOP VENTED CANOPY
 FABRIC: GREEN FIRE RESISTANT
 HARDWOOD POLE AND SPLINES
 60" X 60" X 26-1/2" CANOPY
 OVERALL HEIGHT: 101-1/2"
 INTERIOR HEAD ROOM: 74"
 TAG: F602
 MAKER: ATA INDUSTRIES

BASE SPECIFICATIONS
 EPOXY COATED STEEL
 PRE-DRILL HOLE FOR UMBRELLA ANCHOR
 STEEL ANCHOR PIN
 DIAMETER: 24"
 HEIGHT: 15"
 75 POUNDS
 TAG: F603
 MAKER: ATA INDUSTRIES

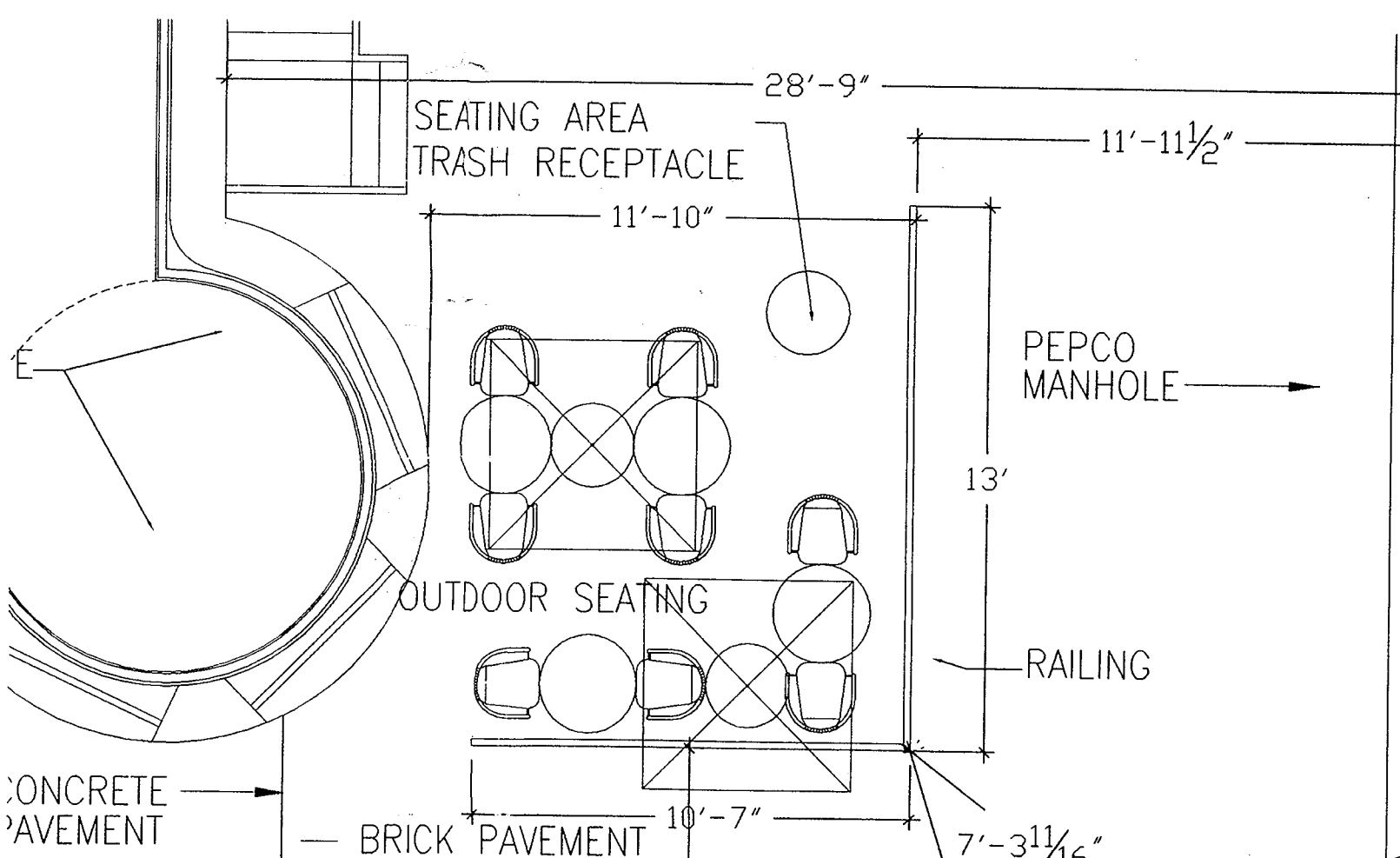
8 UMBRELLA DETAIL

SCALE = 1/2" = 1'-0"



9 RAILING DETAIL

N.T.S.



5 ENLARGED SITE PLAN W/ SEATING

SCALE = 1/4" = 1'-0"

PROPERTY DESCRIPTION

SQUARE 67 LOT 32 & 56

TOTAL SEATING AREA:
 - 165.96 SQUARE FEET

TOTAL SEATS:
 - 8

INDEX OF DRAWINGS


1	VICINITY MAP
2	SITE PLAN W/ SEATING
3	FRONT ELEVATION
4	SIDE ELEVATION
5	ENLARGED OUTDOOR SEATING PLAN
6	CHAIR DETAIL
7	TABLE DETAIL
8	UMBRELLA
9	RAILING DETAIL
10	ATTACHMENT DETAIL



© 1997 STARBUCKS CORPORATION

STARBUCKS COFFEE COMPANY
 2401 UTAH AVENUE SOUTH
 SEATTLE, WASHINGTON 98134
 (206) 318-1575

THESE PLANS AND SPECIFICATIONS, AS WELL AS STARBUCKS NAME AND LOGO, TRADEMARKS AND DESIGNS ARE THE EXCLUSIVE PROPERTY OF STARBUCKS CORPORATION. ANY REPRODUCTION, MODIFICATION, DISCLOSURE AND/OR USE OF THESE MATERIALS FOR ANY PORTION OF THEM WITHOUT STARBUCKS' PRIOR WRITTEN CONSENT IS STRICTLY PROHIBITED.

CONSULTANTS

 4963 ELM
 Suite 103
 Bethesda
 Maryland
 20814-2940
 301.657.3020
 301.657.3050

REV DATE JC DESCRIPTION

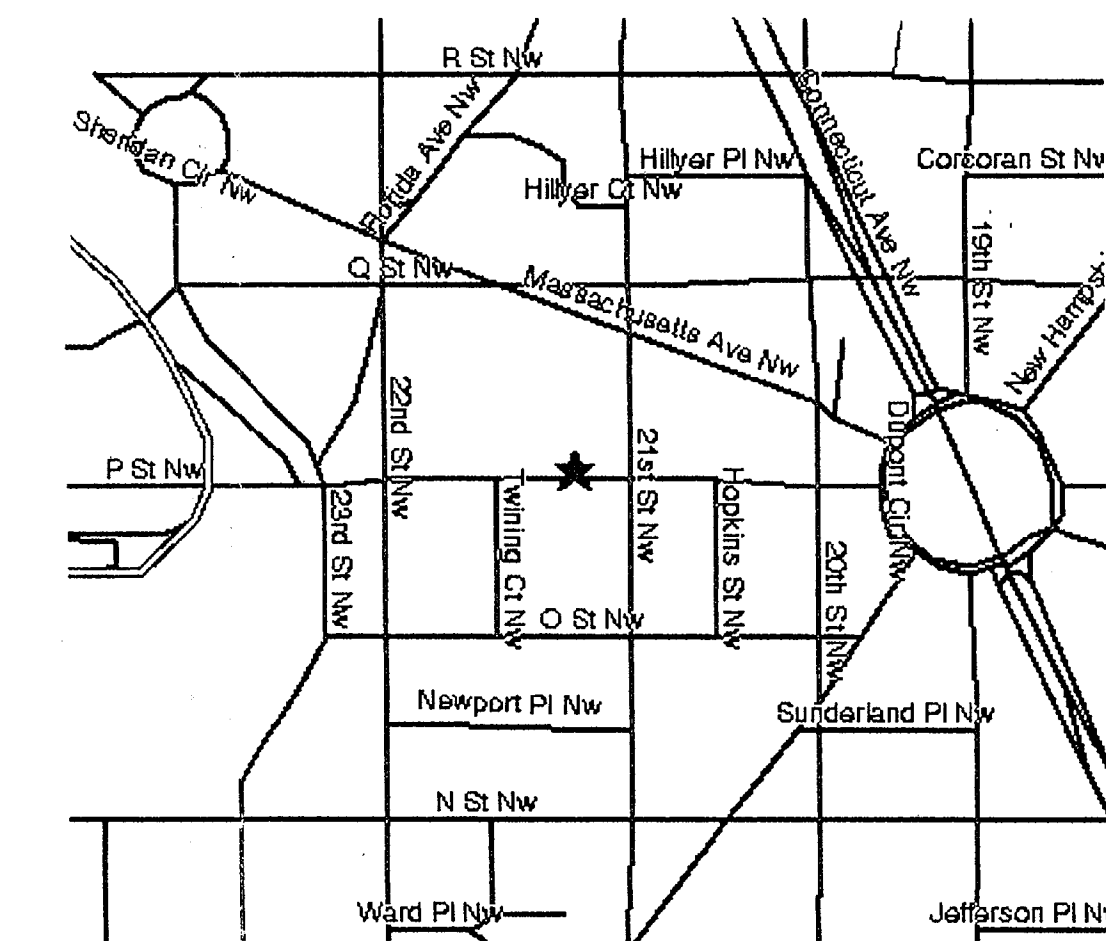
STARBUCKS COFFEE
21st & P STREET
 1500 21st STREET
 WASHINGTON, DC 20036
 DISTRICT of COLUMBIA

PROJECT NO. 12170-001
 CONCEPT: EB - ROAST - RH
 ISSUE DATE: 5 SEPT 2001
 PM: TREVOR WRIGHT
 JC: DAVID ELLIS
 CHECKED: JOHN McDUGALD
 C. M. CHKD: JOHN SKROCE

SCALE: NO SCALE
 (DO NOT SCALE DRAWINGS)

SHEET TITLE

PROJECT CODE: 12170-0-01



1 VICINITY MAP

N.T.S.