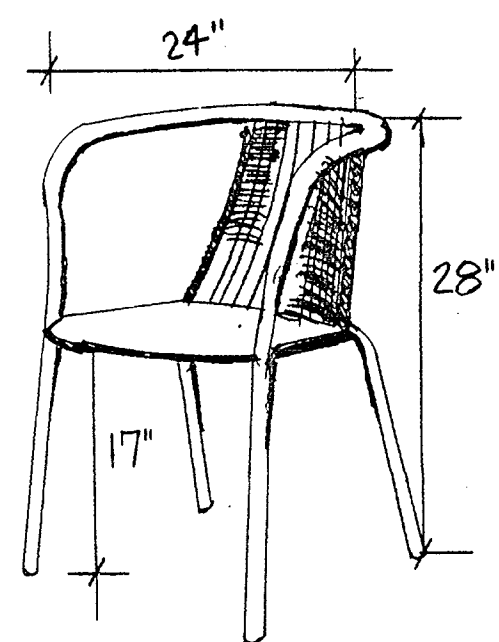


INDEX OF DRAWINGS

1	VICINITY MAP
2	SITE PLAN
3	K STREET ELEVATION
4	15TH STREET ELEVATION
5	ENLARGED OUTDOOR SEATING PLAN
6	CHAIR DETAIL
7	TABLE DETAIL
8	UMBRELLA
9	RAILING DETAIL

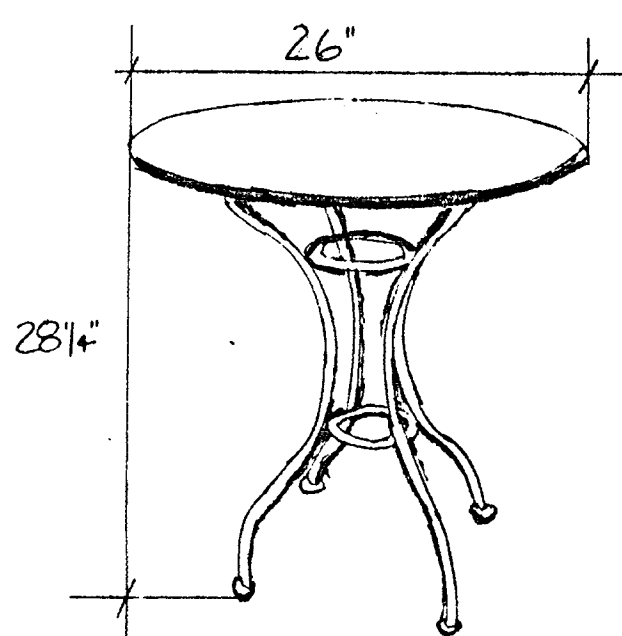


SPECIFICATIONS
 COLOR: GREEN
 JACKABLE 14 GAUGE FRAME
 PVC EPOXY FINISH
 PVC - COATED STEEL WIRE STRAPPING

MEASUREMENTS:
 SEAT HEIGHT: 17"
 WIDTH: 21"
 DEPTH: 24"
 OVERALL HEIGHT: 28.5"

TAG: F604
 MAKER: SANDLER SEATING

6 CHAIR DETAIL
 SCALE = 1/2" = 1'-0"

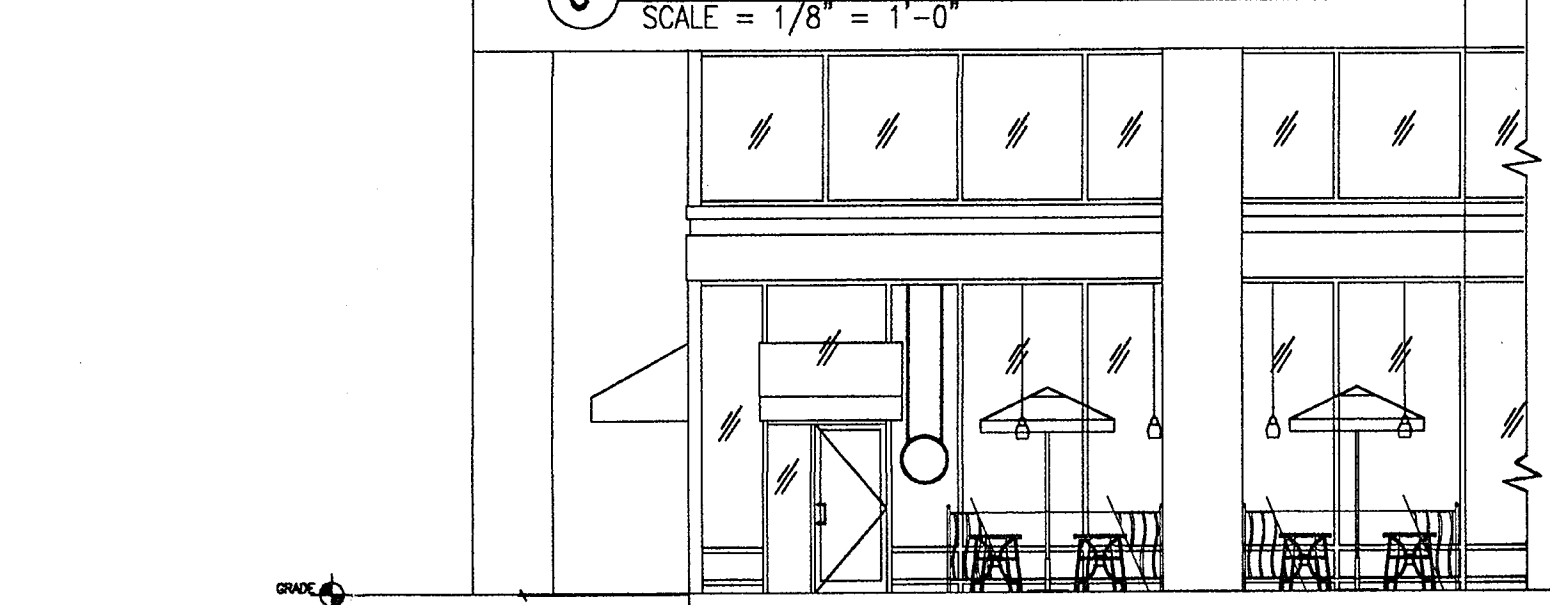


SPECIFICATIONS
 TOP
 OVERALL DIAMETER - 28"
 COLOR - GREEN POWDER COAT
 LEGS:
 FOOT PATTERN - 26" OUTSIDE DIAMETER
 COLOR - DULL METAL

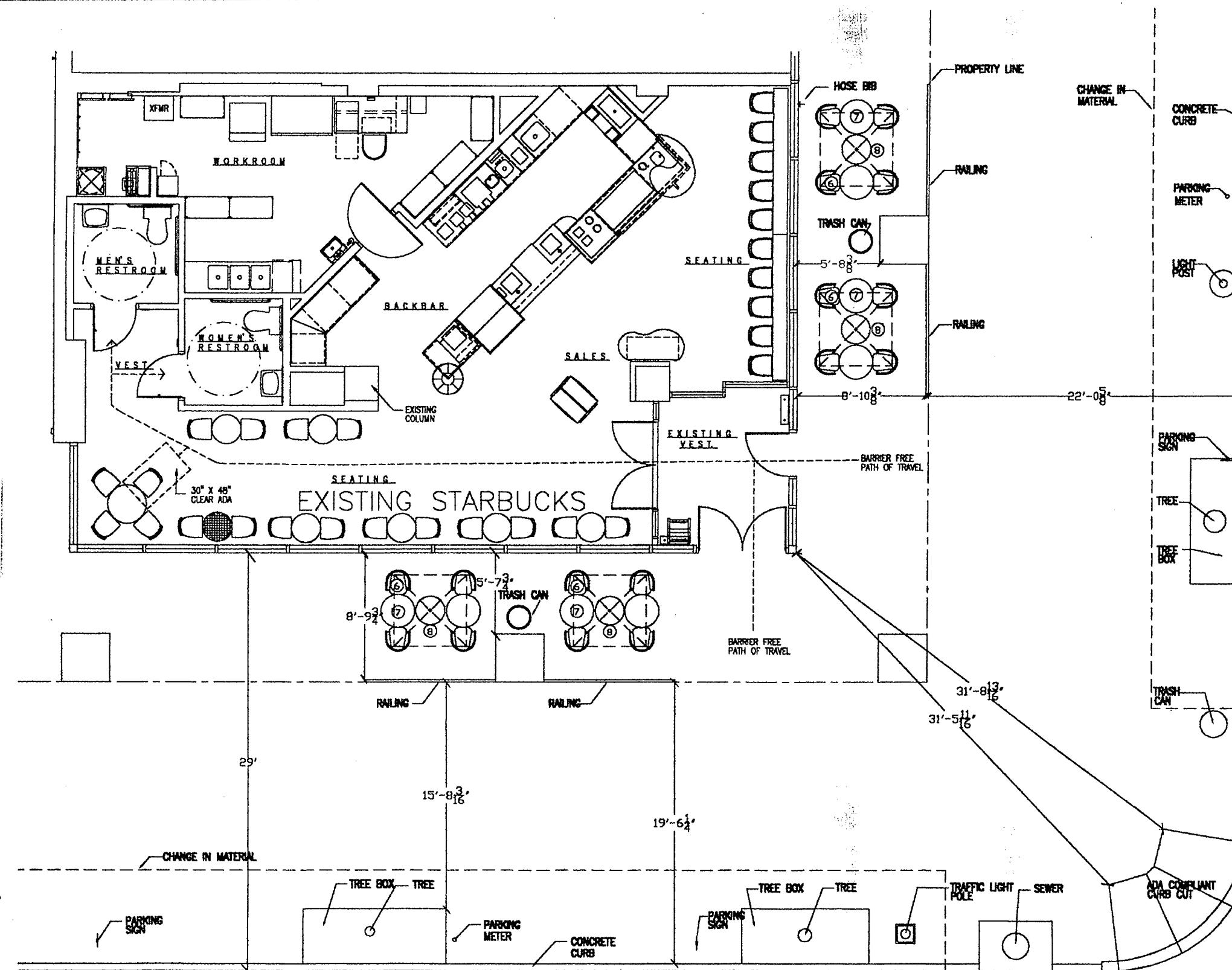
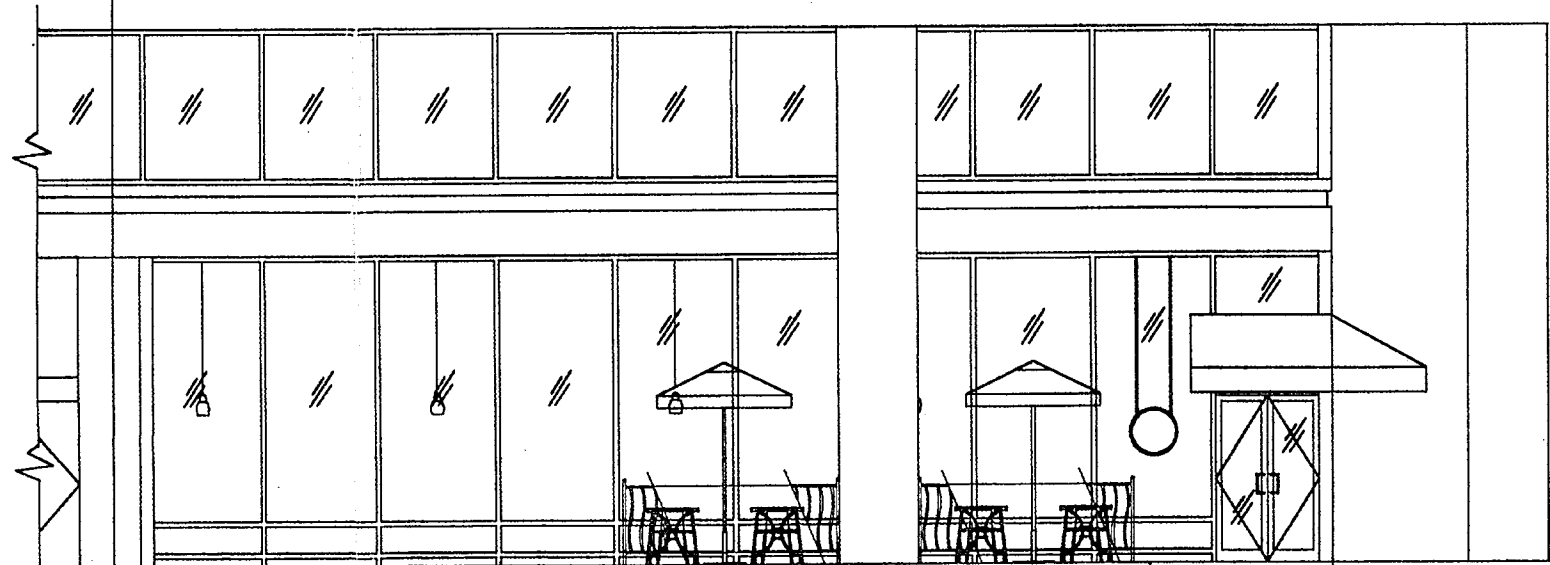
OVERALL HEIGHT - 28 1/4"
 TAG: F608
 MAKER: WEST COAST INDUSTRIES

7 TABLE DETAIL
 SCALE = 1/2" = 1'-0"

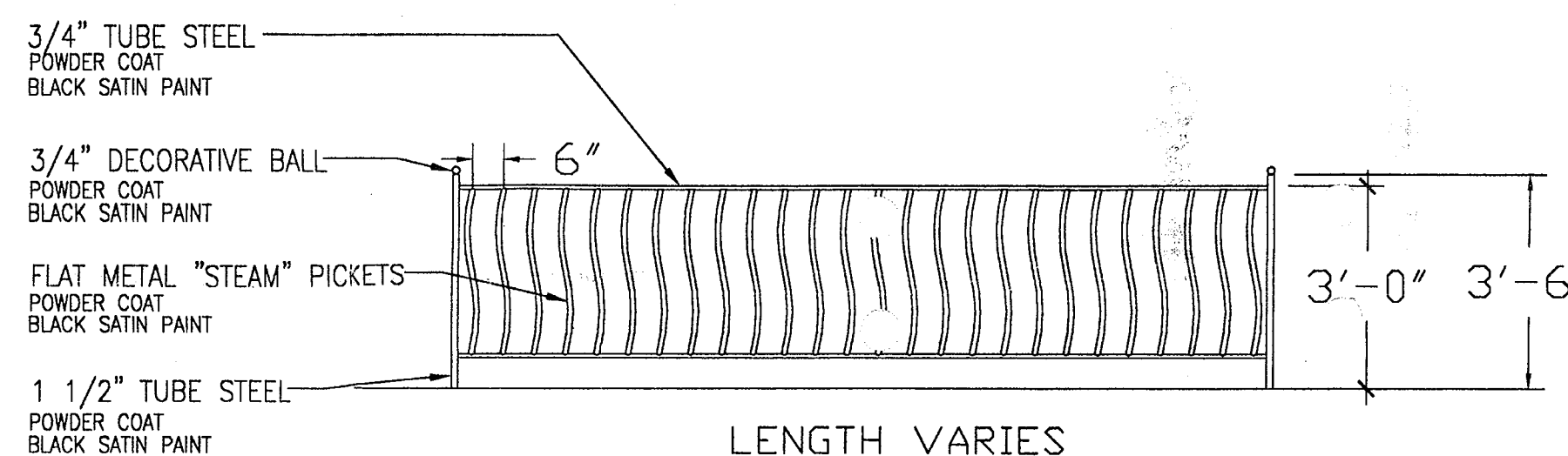
3 K STREET ELEVATION
 SCALE = 1/8" = 1'-0"



4 15TH STREET ELEVATION
 SCALE = 1/8" = 1'-0"

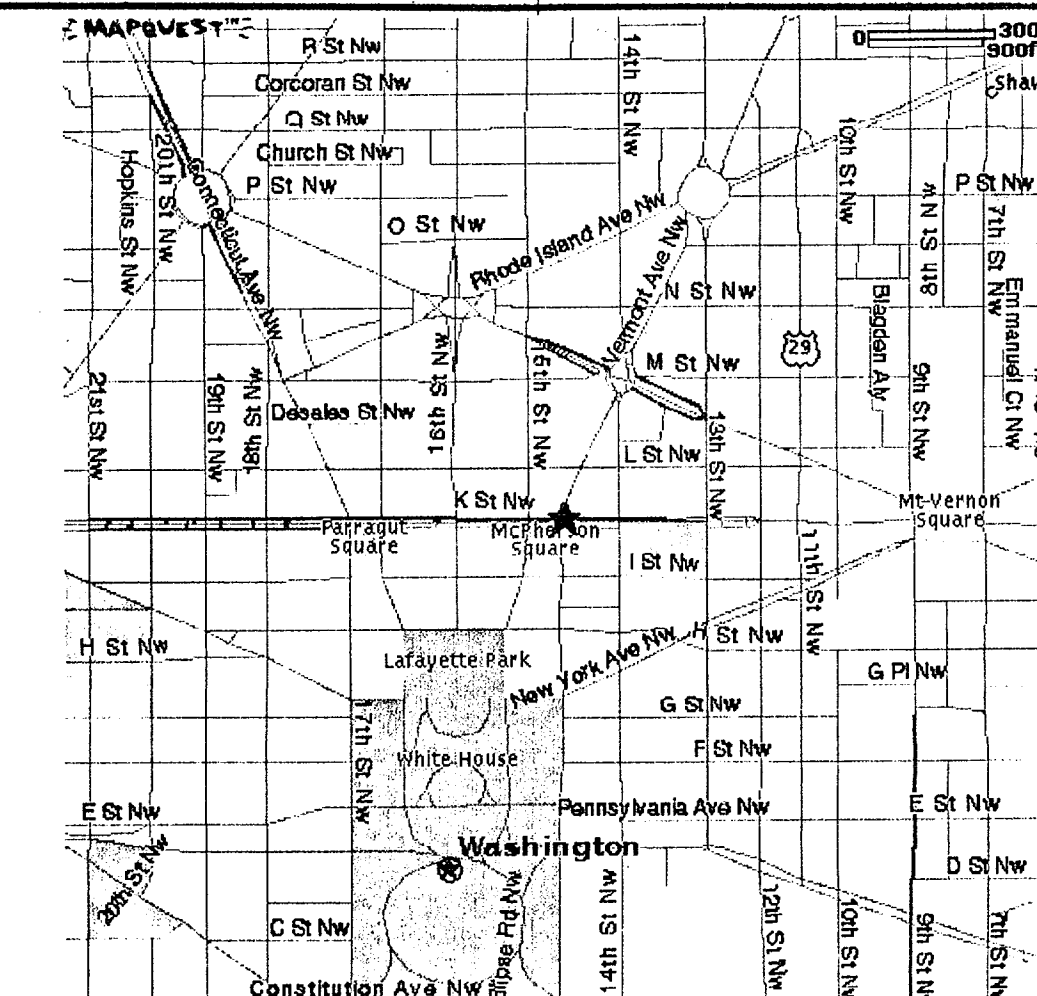
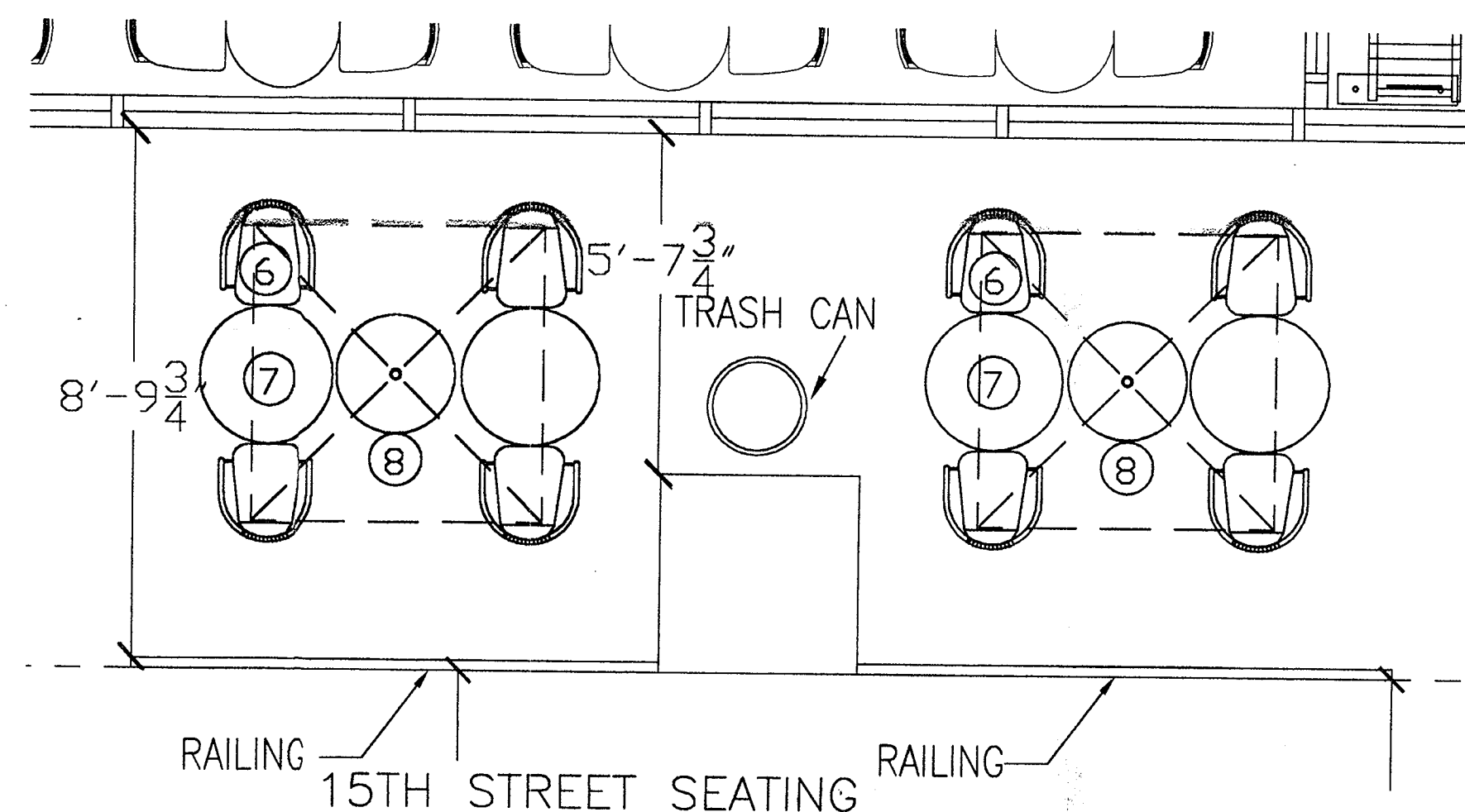


2 SITE PLAN
 SCALE = 1/8" = 1'-0"



9 RAILING DETAIL
 N.T.S.

5 ENLARGED SITE PLAN W/ SEATING
 SCALE = 3/8" = 1'-0"



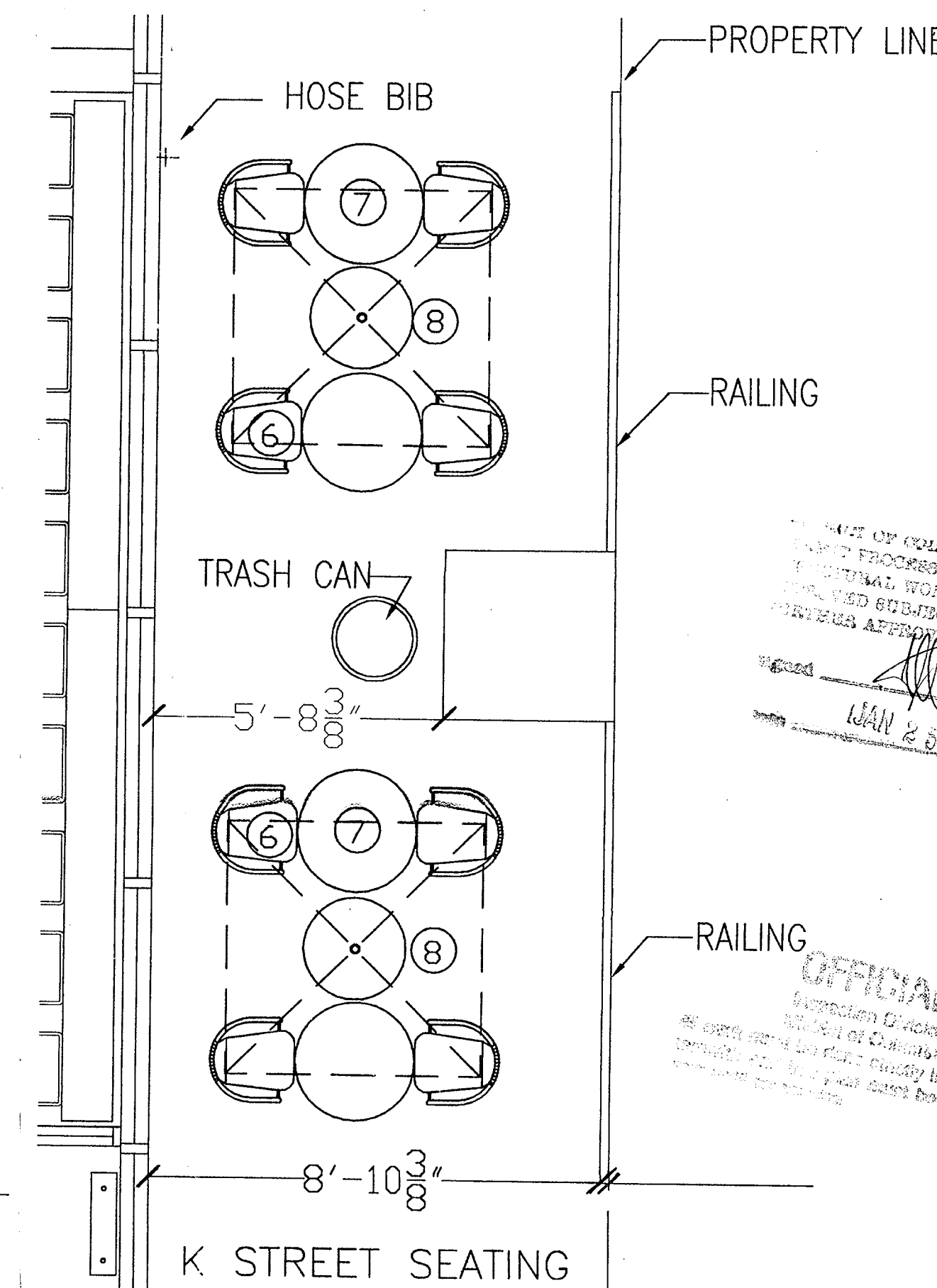
1 VICINITY MAP
 N.T.S.

PROPERTY DESCRIPTION

SQUARE 216 LOT 32833

TOTAL SEATING AREA:
 -382.59 SQUARE FEET

TOTAL SEATS:
 - 16



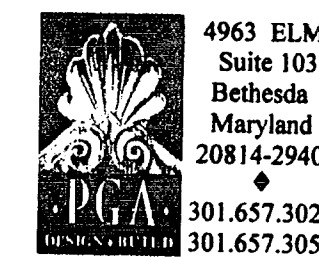
K STREET SEATING



STARBUCKS
 COFFEE COMPANY
 2401 UTAH AVENUE SOUTH
 SEATTLE, WASHINGTON 98134
 (206) 318-1575

THESE PLANS AND SPECIFICATIONS, AS WELL AS STARBUCKS' NAME AND LOGO, TRADEMARKS AND DESIGN ARE THE EXCLUSIVE PROPERTY OF STARBUCKS CORPORATION. ANY REPRODUCTION, MODIFICATION, DISCLOSURE AND/OR USE OF THESE MATERIALS FOR ANY PORTION OF THEM WITHOUT STARBUCKS' PRIOR WRITTEN CONSENT IS STRICTLY PROHIBITED.

CONSULTANTS



4963 ELM
 Suite 103
 Bethesda
 Maryland
 20814-2940
 301.657.3020
 301.657.3050

REV DATE JC DESCRIPTION

STARBUCKS COFFEE
 PROJECT: 15TH & K ST.
 1455 K STREET NW
 WASHINGTON, DC 20005
 COUNTY: WASHINGTON D.C.

PROJECT NO. 12170-001
 CONCEPT: EB - ROAST - RH
 ISSUE DATE: 5 SEPT 2001
 PM: TREVOR WRIGHT
 JC: DAVID ELLIS
 CHECKED: JOHN McDOUGALD
 C. M. CHKD: JOHN SKROCE

SCALE: NO SCALE
 (DO NOT SCALE DRAWINGS)

SHEET TITLE
 SCHEDULES:
 GRAPHICS,
 FURNITURE

PROJECT CODE: 12170-0-01