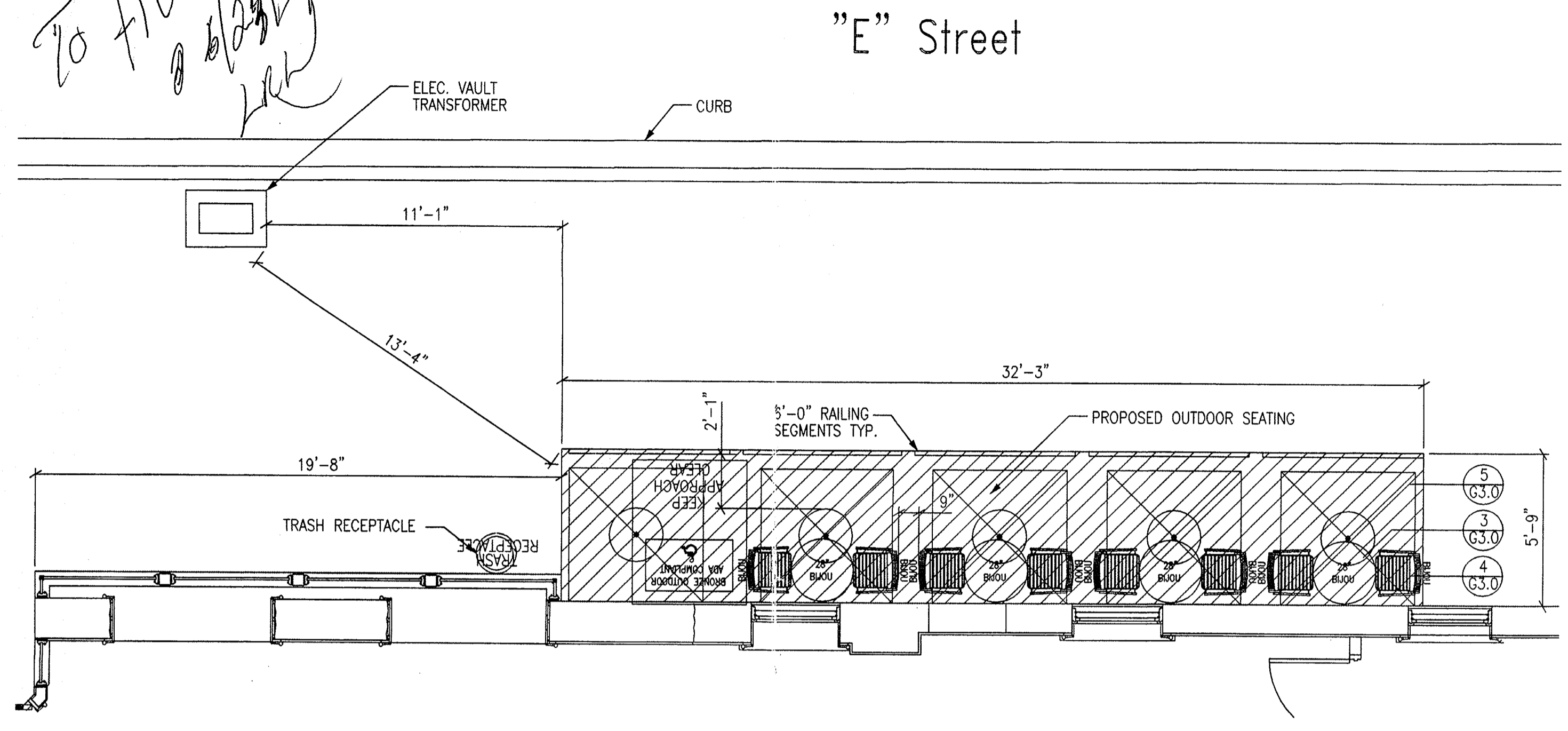
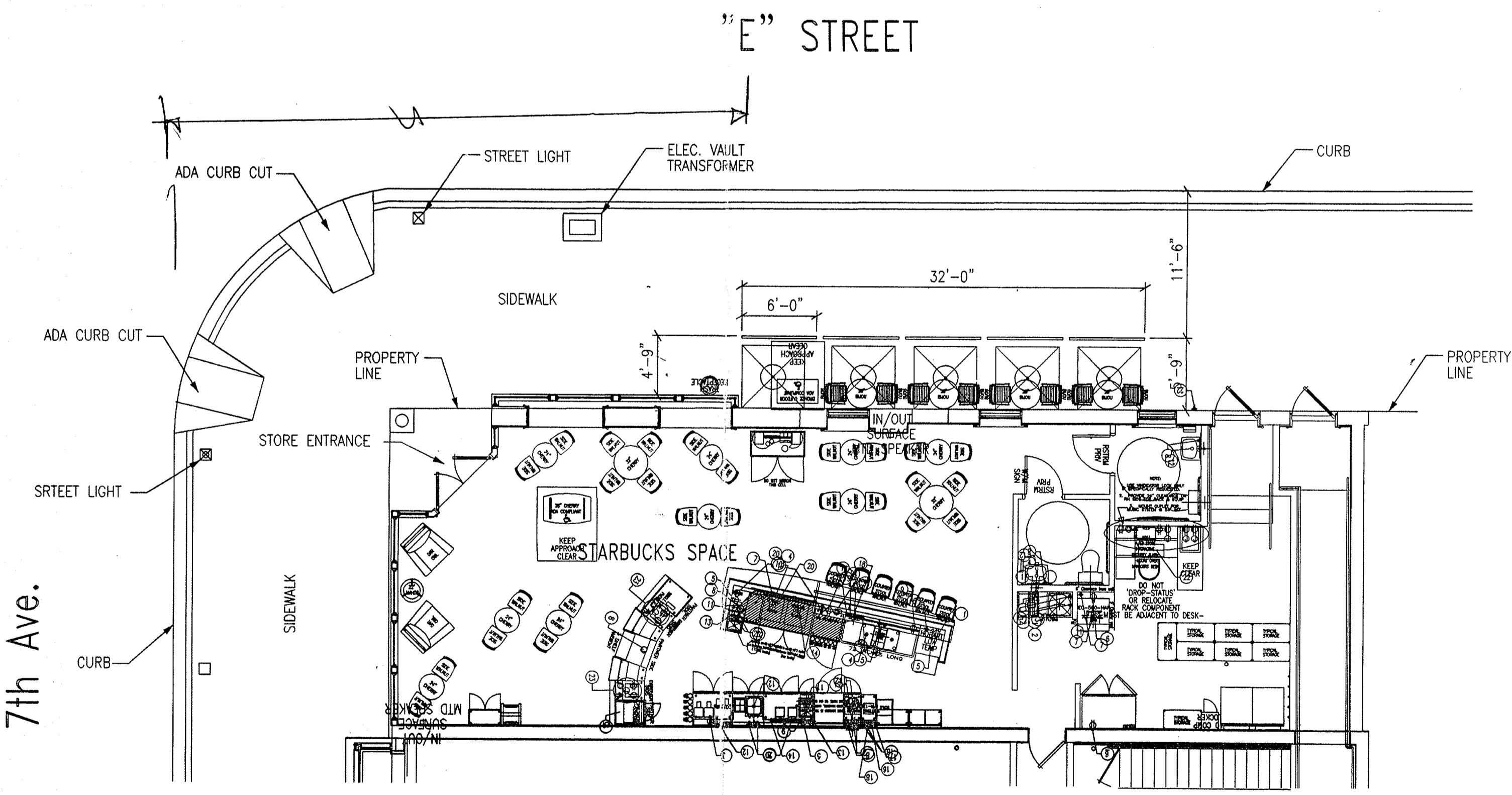


Ok to file



1 ENLARGED SEATING PLAN
1/4" = 1'-0"



2 SITE PLAN WITH SEATING
1/8" = 1'-0"

OUTDOOR SEATING

PROPERTY DESCRIPTION:
 LOT: 42 BLOCK: 457C
 TOTAL SEATS: 9
 TOTAL SEATING AREA: 185 S.F.

INDEX OF DRAWINGS:

1	ENLARGED SEATING PLAN
2	SITE PLAN WITH SEATING
3	TABLE SPECIFICATION
4	CHAIR SPECIFICATION
5	UMBRELLA SPECIFICATION
6	EXTERIOR SEATING ELEVATION
7	BALL TYPE RAILING DETAIL

STARBUCKS COFFEE COMPANY
 2401 UTAH AVENUE SOUTH
 SEATTLE, WASHINGTON 98134
 (206) 318-1575

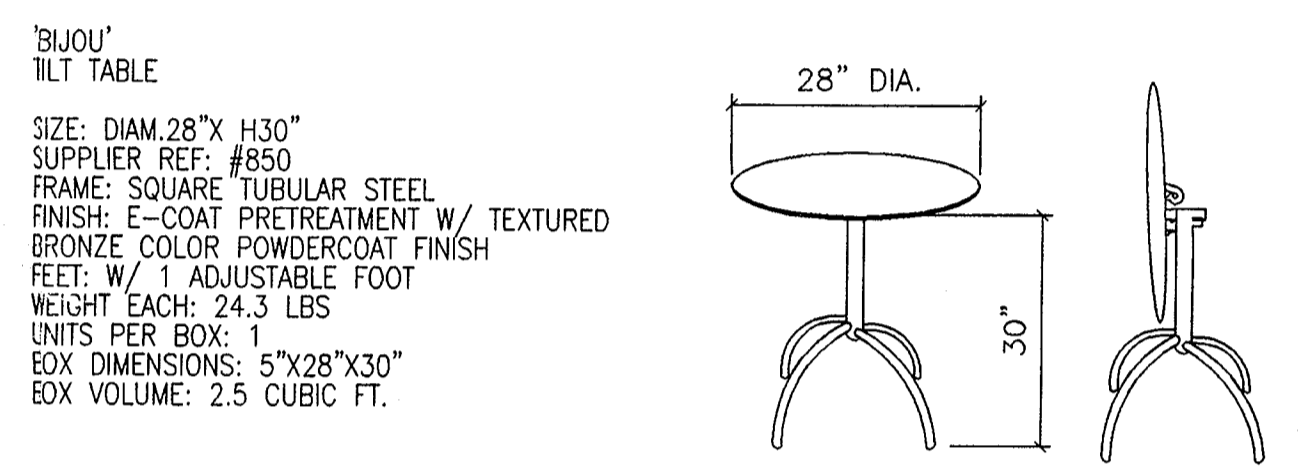
THESE PLANS AND SPECIFICATIONS, AS WELL AS STARBUCKS' NAME AND LOGO, TRADEMARKS AND DESIGNS ARE THE EXCLUSIVE PROPERTY OF STARBUCKS CORPORATION. ANY REPRODUCTION, MODIFICATION, DISCLOSURE AND/OR USE OF THESE MATERIALS (OR ANY PORTION OF THEM) WITHOUT STARBUCKS' PRIOR WRITTEN CONSENT IS STRICTLY PROHIBITED.

ARCHITECT OF RECORD

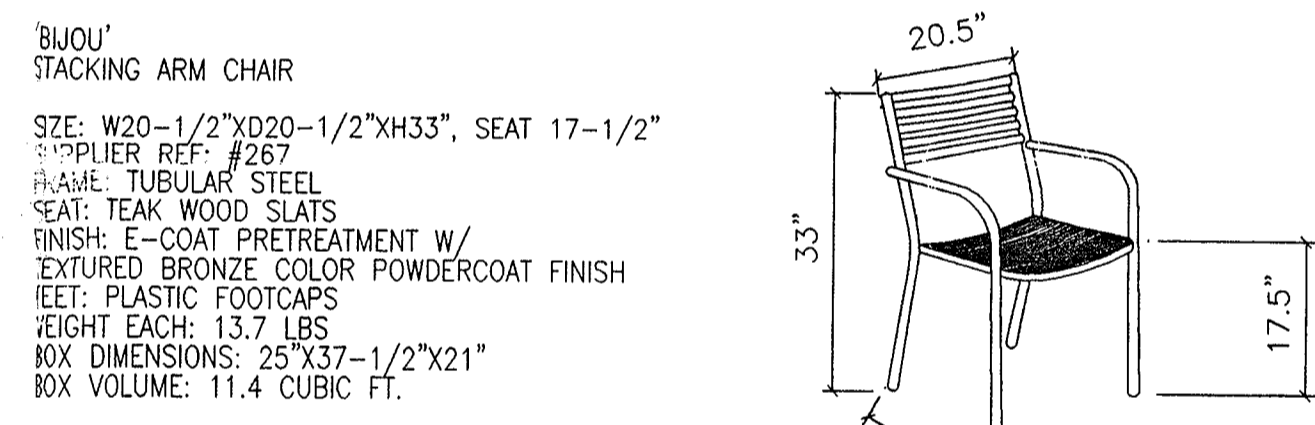
PGA DESIGN + BUILD
 4883 ELIA SUITE 103
 BETHESDA MARYLAND 20814-2940
 PH. (301) 657-3020
 FX. (301) 657-3050

REV DATE JC DESCRIPTION

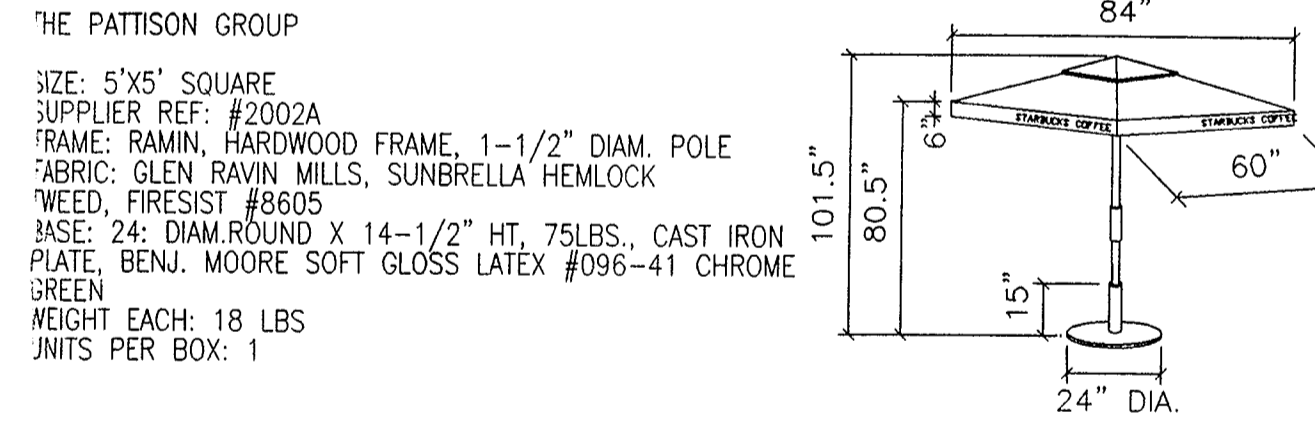
VICINITY MAP



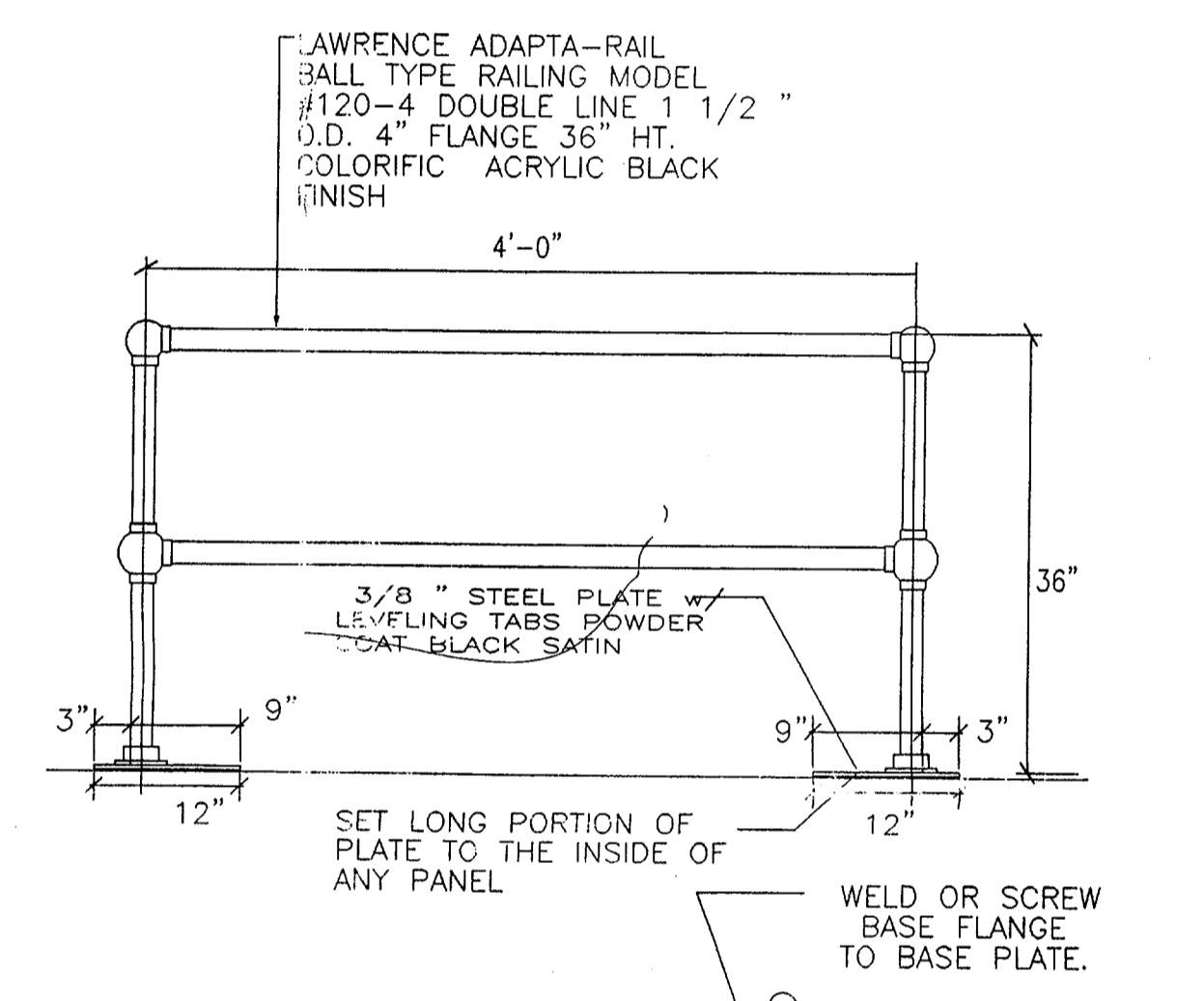
3 TABLE SPECIFICATION
NOT TO SCALE



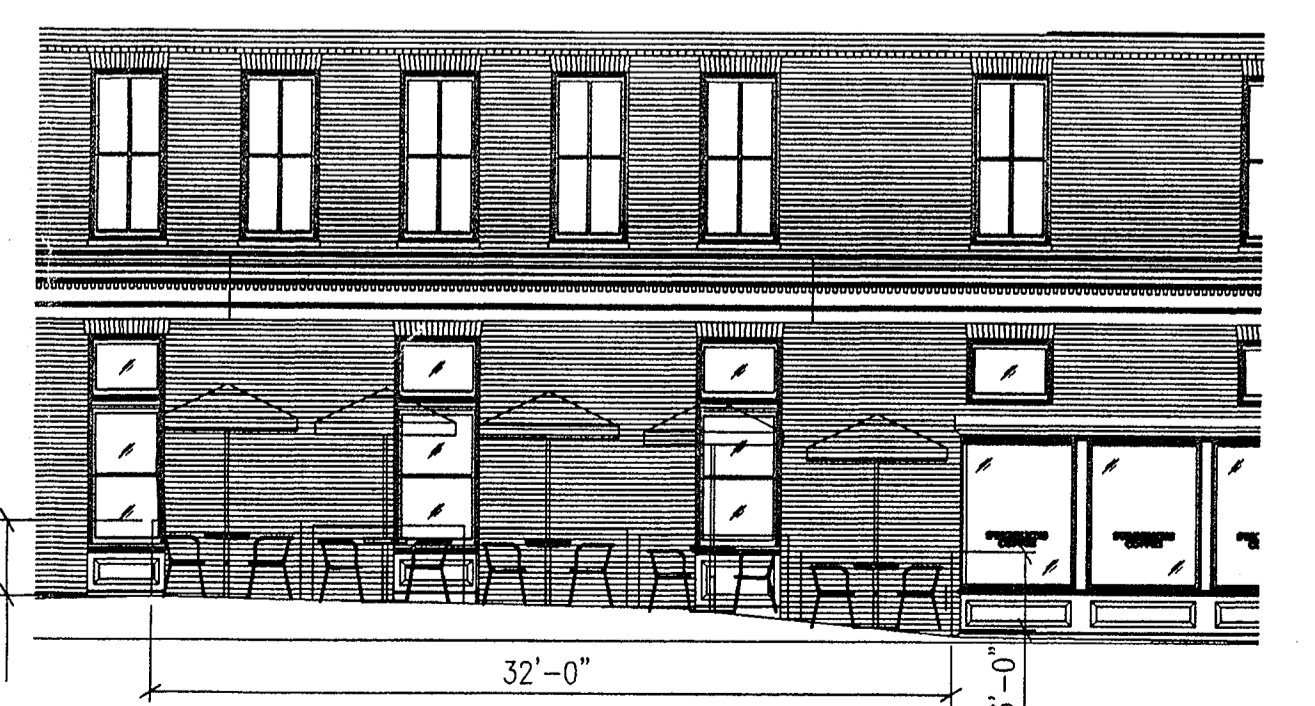
4 CHAIR SPECIFICATION
NOT TO SCALE



5 UMBRELLA SPECIFICATION
NOT TO SCALE



7 BALL TYPE RAILING DETAIL
NOT TO SCALE
ELEVATION



6 "E" STREET ELEVATION
1/8" = 1'-0"

STARBUCKS COFFEE
 7th & "E" Street
 457-C 7th Street NW
 Washington, D.C. 20001
 PROJECT: COUNTY: Washington, D.C.

PROJECT #: 11023-001
 CONCEPT: RISTRETTO - LH
 PALETTE: COOL - DARK
 ISSUE DATE: 6/25/03
 PM: A.J. YOUNG
 JC: RICHARD WILSON
 CHECKED: REUBEN RIOS
 CM: ERIC QUIGLEY

SHEET TITLE
OUTDOOR SEATING PLAN
 SCALE: NO SCALE
 (DO NOT SCALE DRAWINGS)
 SHEET NUMBER
G3.0

bht